

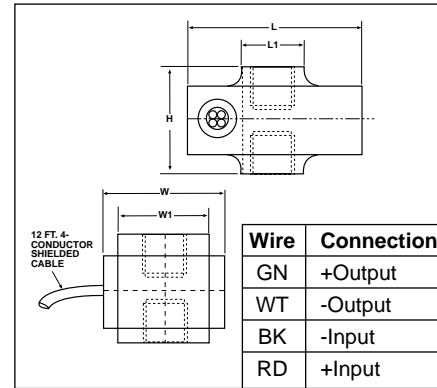
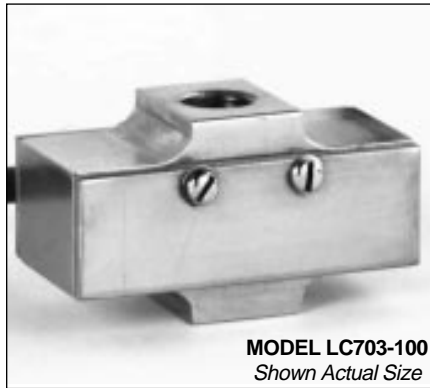
Interchangeable with **Model TH-ULP** **SPEC SHEET**
LC703

MINIATURE LOW PROFILE UNIVERSAL LINK LOAD CELLS

LC703 Series
Tension/Compression
Calibrated in Tension
±10 to ±1,000 lb
±45 to ±4,500 N

1 Newton = 0.2248 lb
1 daNewton = 10 Newtons
1 lb = 454 g
1 t = 1000 kg = 2204 lb

\$295
Model Shown



Dimensions Shown in Inches (mm)

Capacity (lb)	L (Max)	L1	W	W1	H	Thread
±10	1.50 (38)	0.56 (14)	0.54 (14)	0.38 (9.5)	0.75 (19)	10-32x0.20
±25 to 100	1.62 (41)	0.56 (14)	0.66 (17)	0.50 (13)	0.75 (19)	¼-28x0.23
±150 to 1K	1.75 (44)	0.56 (14)	0.93 (24)	0.75 (19)	1.0 (25)	¾-24x0.38

- ☑ Low Profile
- ☑ High Accuracy 0.1%
- ☑ Rugged Industrial Design

The LC703 Series are economical universal (Tension/Compression) load cells with an extremely low profile. Ranges above 100lb are Stainless Steel; 100 lb and below are Aluminum. The LC703's low profile, economical price and rugged design make them suitable for many industrial applications including robotics, automated weighing systems or part of a batch-process control system.

SPECIFICATIONS:
Output: 2 mV/V nominal
Input: 10 V ac/dc(15V max)
Accuracy Class: 0.15% FSO
Linearity: ±0.10% FSO
Hysteresis: ±0.10% FSO
Repeatability: ±0.05% FSO
Zero Balance: ±1.0% FSO
Operating Temp. Range: -40 to 82°C (-40 to 180°F)
Compensated Temp. Range: 16 to 71°C (60 to 160°F)

Thermal Effects: Zero: ±0.005% FSO/°F Span: ±0.005% Rdg/°F
Safe Overload: 150 % of Capacity
Ultimate Overload: 300 % of Capacity
Output Resistance: 350 ±5 ohms
Input Resistance: 360 ohms minimum
Full Scale Deflection: .003" nominal
Construction: ≤100 lb Aluminum
>100 lb 17-4 PH Stainless Steel
Electrical: LC701: 12 ft (3.6m) shielded 4-conductor PVC cable

For Sales and Service
In U.S.A. and Canada

1-800-872-3963
1-800-USA-DYNE

International Customers Dial
(614) 965-9340
24-Hour FAX (614) 965-9438

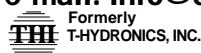
OMEGADYNESM FAX

OMEGADYNE's 24-Hour
On-Line Publishing Service

1-800-344-3963
1-800-DIG-DYNE

Document # 3726

OMEGADYNE, Inc.
149 Stelzer Court, Sunbury, OH 43074
<http://www.omegadyne.com>
e-mail: info@omegadyne.com



© COPYRIGHT 1996 OMEGADYNE, INC. ALL RIGHTS RESERVED.

➔ Most Popular Models Highlighted ➔

Prices Shown in U.S. Dollars

To Order: (Specify Model Number)			
Capacity (lb)	Model Number	Price	Compatible Meters
±10	LC703-10	\$295	INFW, INFS, INFCS
±25	LC703-25	295	INFW, INFS, INFCS
±50	LC703-50	295	INFW, INFS, INFCS
±75	LC703-75	295	INFW, INFS, INFCS
±100	LC703-100	295	INFW, INFS, INFCS
±150	LC703-150	295	INFW, INFS, INFCS
±200	LC703-200	295	INFW, INFS, INFCS
±300	LC703-300	295	INFW, INFS, INFCS
±500	LC703-500	395	INFW, INFS, INFCS
±750	LC703-750	395	INFW, INFS, INFCS
±1,000	LC703-1K	395	INFW, INFS, INFCS

Interchangeable with Model TH-ULP

Metric Ranges Available-Consult Engineering.

Ordering Example: 1.) LC7031K is a 1,000 lb capacity universal link with 12 ft cable, \$395.
2.) LC703-200 is a 200 lb capacity tension link with 12 ft cable, \$295.

Printed On Recycled Paper

